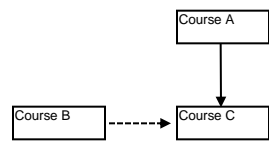
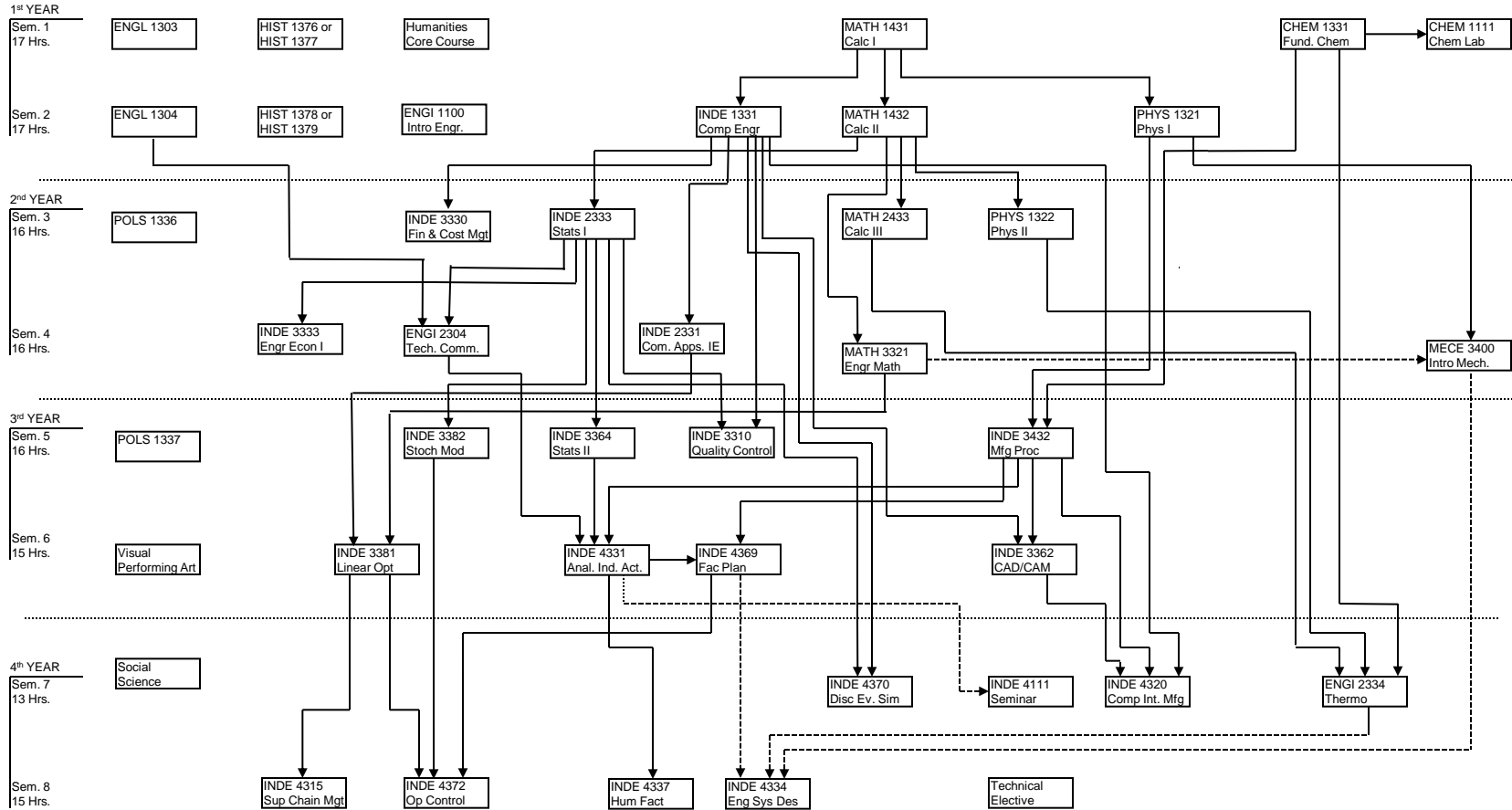


# INDUSTRIAL ENGINEERING – IE UNDERGRADUATE CURRICULUM

## IE Degree Plan (Effective Fall 2015)



Course A is a prerequisite for C (solid line)  
 Course B is a co-requisite for C (dashed line)  
 Co-requisites may be taken earlier

**Notes:**

**1. Approved Technical Elective Courses:**

- MATH 3336: Discrete Mathematics
- MATH 3333: Intermediate Analysis
- MANA 3335: Introduction to Organizational Behavior and Management
- INDE 4397: Engineering Leadership & Entrepreneurism (ELEP)

**2. All other technical elective courses are subject to approval by academic advisor.**